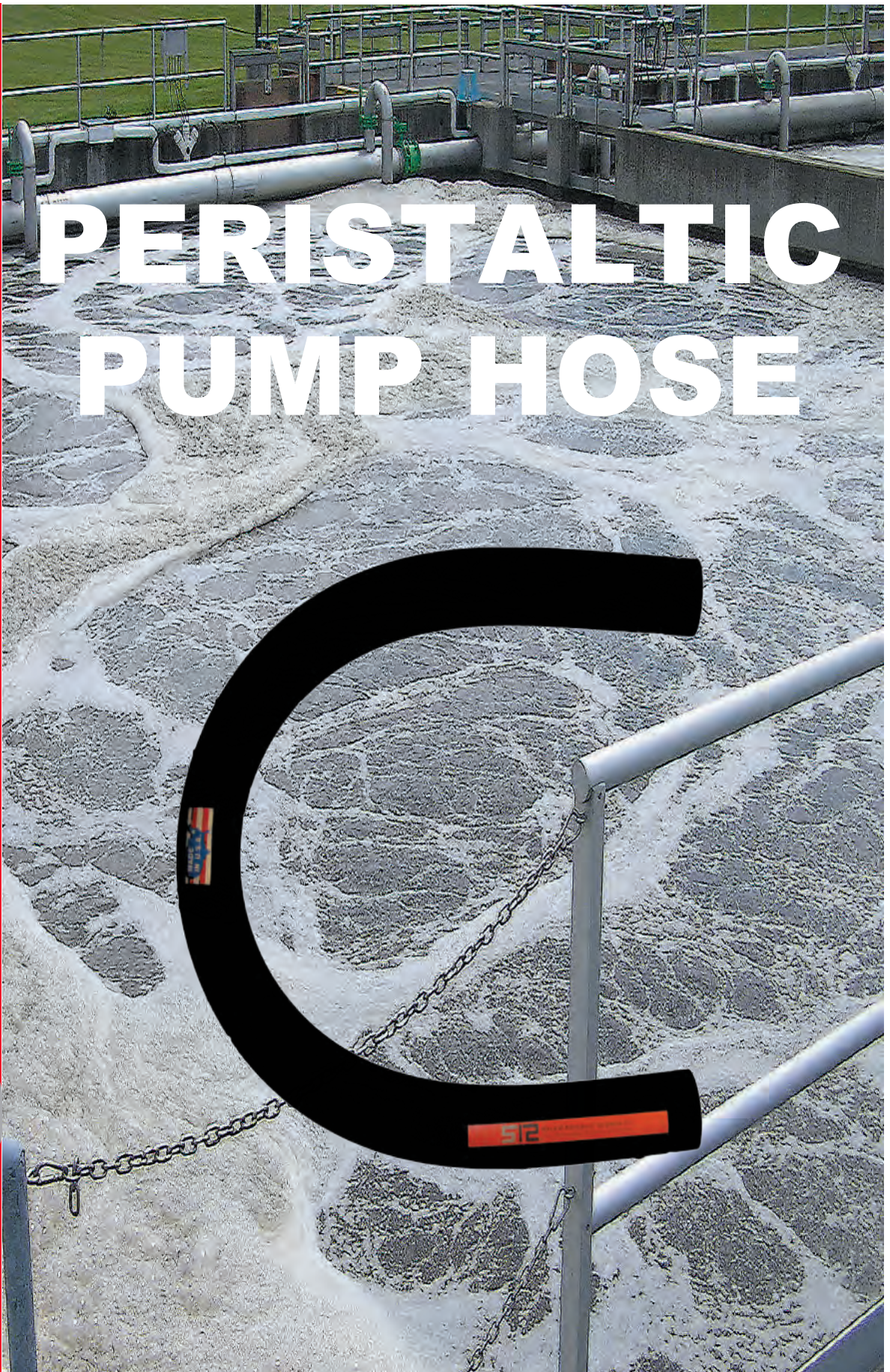


CUSTOM
engineered Solutions



PERISTALTIC PUMP HOSE

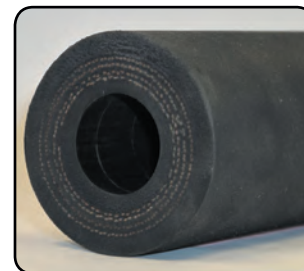


DELTA HARDWARE & INDUSTRY Ltd.

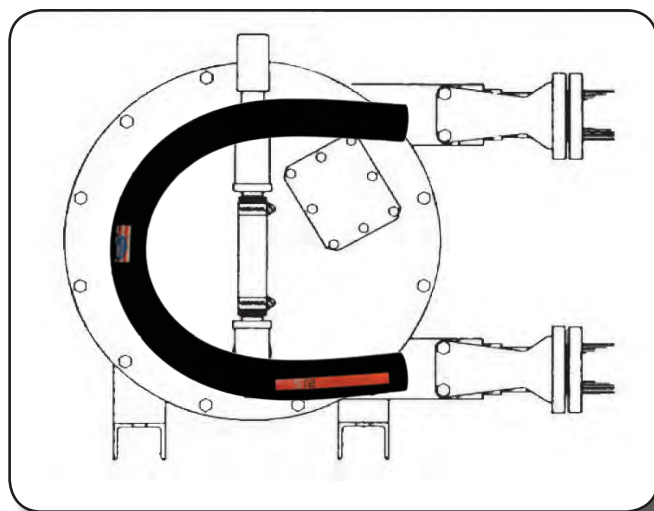
64/22 Pho Quang, Ward 2, Tan Binh District, Ho Chi Minh City, VietNam
Tel: 028-3997-2242 | 3997-5093 ; Email : office@dhi.com.vn - dhi.com.vn

Peristaltic Pump Hose

Salem-Republic Rubber Company builds peristaltic pump hoses that are compatible with all major positive displacement pump manufacturers and offers custom built hoses to accommodate your specific requirements. Our “No-Crush” poly carcass is constructed using multiple plies of high tensile cord reinforcements, and the smooth precision ground concentric cover insures optimum performance and consistent flows.



- **Sizes from 10mm to 150mm**
- **Smooth Precision Ground Cover**
- **Multi-ply High Tensile Cord Reinforcement**
- **Non-Standard or Custom Built Hoses Available**
- **Tube Compounds: Natural Rubber, EPDM, Nitrile (Buna-N), and FDA Safe White & Tan Materials**
- **For Watson-Marlow™, Blackmer™, Verder™, Ponndorf™, Periflo™, and all other Positive Displacement Pump Manufacturers**



ID (mm)	OD (mm)	Length (mm)	ID (in)	OD (in)	Length (in)
10	31.0	508.0	0.39	1.22	20.0
15	36.0	762.0	0.59	1.41	30.0
25	53.2	1006.4	0.98	2.09	39.6
32	61.0	1250.9	1.25	2.40	49.2
40	66.4	1489.0	1.57	2.61	58.6
50	80.0	1820.8	1.96	3.14	71.6
65	99.2	2336.8	2.55	3.90	92.0
80	122.0	2781.3	3.14	4.80	109.5
100	144.0	3276.6	3.93	5.66	129.0

Model Number Compatibility Chart

Peristaltic Pump Manufacturers	10mm	15mm	25mm	32mm	40mm	50mm	65mm	80mm	100mm
Albin Pump	ALH10	ALH15	ALH25	ALH32	ALH40	ALH50	ALH65	ALH80	ALH100
Allweiler	ASL 10	ASH/ASL15	ASH/ASL25	ASH 25	ASH 40	ASH 50	ASH 65	ASH 80	ASH 100
Blackmer	A10		A25		A/AX 40		A65	A/AX 80	A100
Periflo	PF 10	PF 15	PF 25	PF 32	PF 40	PF 50	PF 65	PF 80	PF 100
Ponndorf		PK 15	PK 25		PK 40	PK 50	PK 65		
Verderflex	VF 10	VD 15	VF 25	VF 32	VF 40	VF 50	VF 65	VF 80	VF 100
Watson-Marlow/Bredel	SPX10	SPX15	SPX25	SPX32	SPX40	SPX50	SPX65	SPX80	SPX100